



BKR2400

2.4 GHz Multi-position Antenna

Features

- ◆ Groundplane Independent
- ◆ External Mount Antenna
- ◆ Fixes in three positions
- ◆ Ideal for fixed terminals

Specifications

Radiating element	1/2 Wave Dipole
Frequency range	2.4-2.5 GHz
Peak gain	2 dBi
Polarisation	Linear
Return loss	-13 dB
Power rating	10W
Cable / Connector	SMA-Male or RP-SMA
Dimensions	139 x 13mm (max)

Ordering Options

FBKR35068-SM-KR	BKR2400 with SMA-Male Connector
FBKR35068-RS-KR	BKR2400 with RP-SMA Connector

Specifications subject to change without notice.

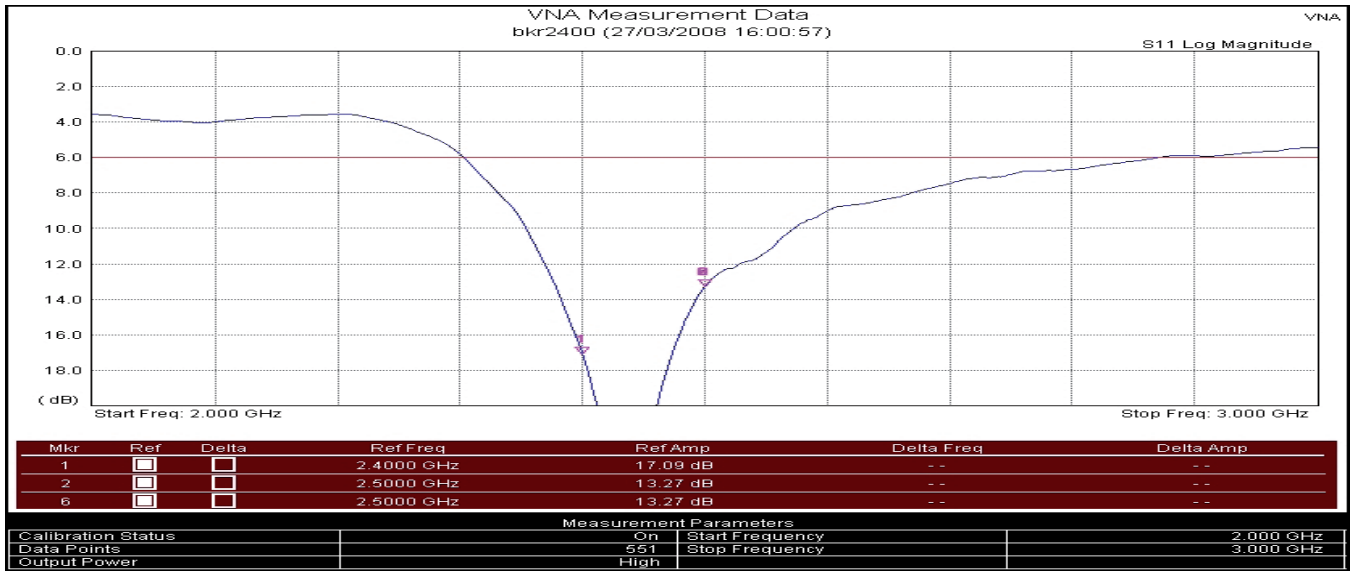
5 Little Balmer
Buckingham Industrial Park
Buckingham
MK18 1HJ
UK

Tel: +44 (0)1280 824055
Fax: +44 (0)1280 817179
Email: sales@ead-ltd.com
Web: www.ead-ltd.com

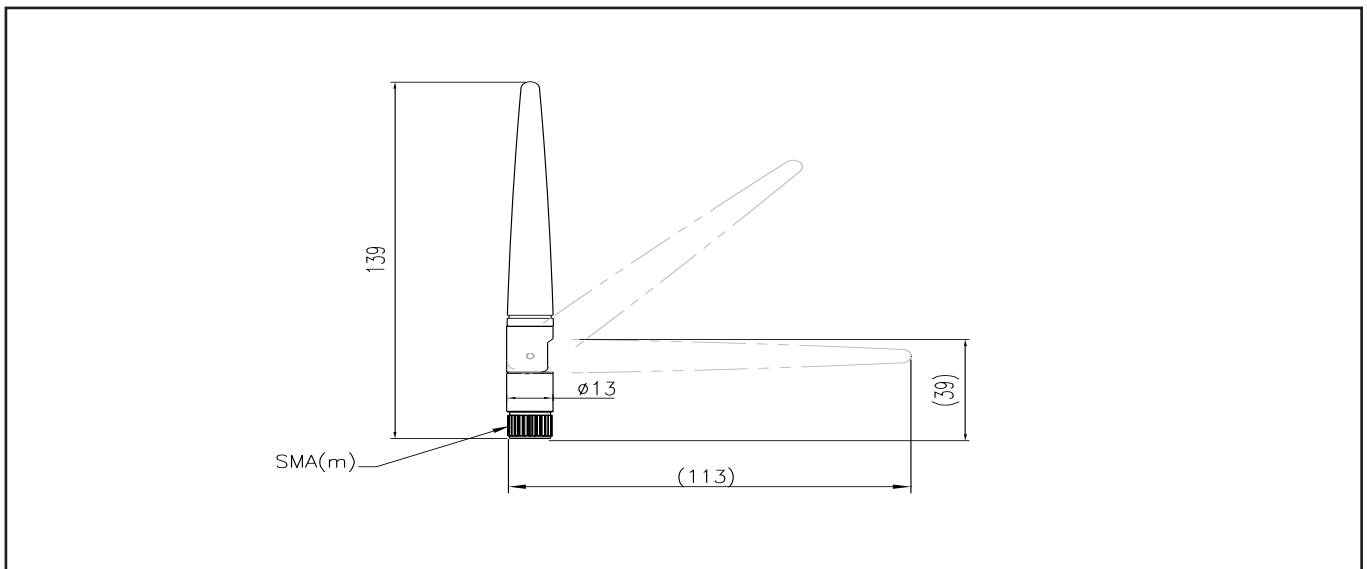


BKR2400 | 2.4 GHz Multi-position Antenna

Return Loss



Outline Drawing



Specifications subject to change without notice.

5 Little Balmer
Buckingham Industrial Park
Buckingham
MK18 1HJ
UK

Tel: +44 (0)1280 824055
Fax: +44 (0)1280 817179
Email: sales@ead-ltd.com
Web: www.ead-ltd.com