

BT-Blade

2.4/5.2 GHz Waterproof
Blade Antenna

Features

- ◆ Groundplane Independent
- ◆ Covers 2.4 and 5.2 GHz bands
- ◆ Various cable/connector options
- ◆ Waterproof Cover provides durability

Specifications

Radiating element	1/2 Wave Element
Frequency range	2.4 and 5.2 GHz
Peak gain	2.2 dBi
Polarisation	Linear
Return loss	-11 dB
Power rating	10W
Cable / Connector	Various including MMCX, FME, SMA
Dimensions	72 x 19mm

Popular Ordering Options

FBT35009-MR-1K	BT-Blade with 1M RG-174 and MMCX RA Connector
FBT35009-SM-1K	BT-Blade with 1M RG-174 and SMA-Male Connector

Specifications subject to change without notice.

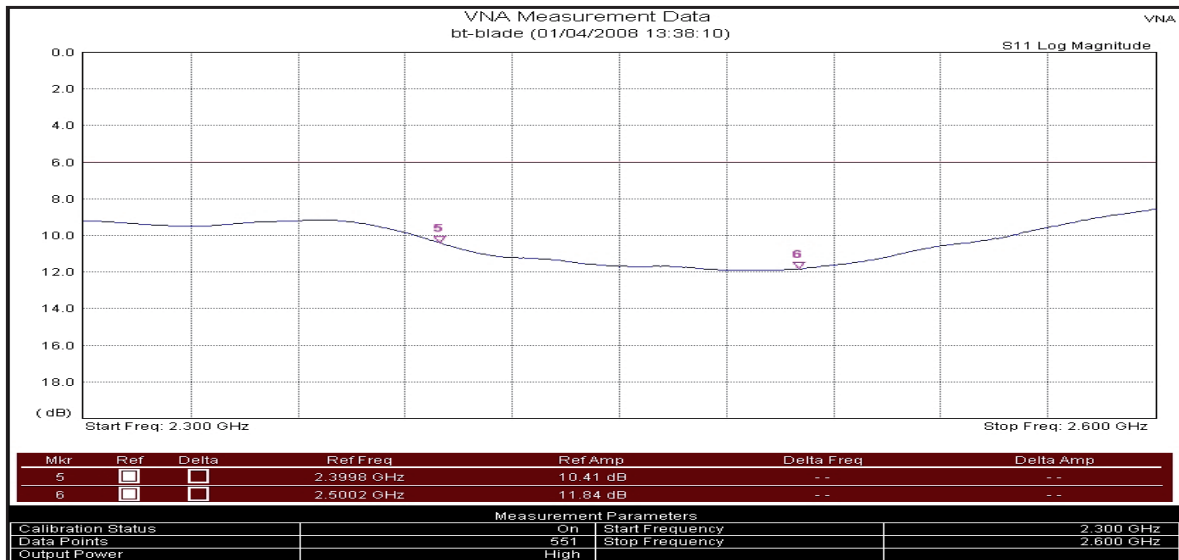
5 Little Balmer
Buckingham Industrial Park
Buckingham
MK18 1TF
UK

Tel: +44 (0)1280 825044
Fax: +44 (0)1280 817179
Email: sales@ead-ltd.com
Web: www.ead-ltd.com

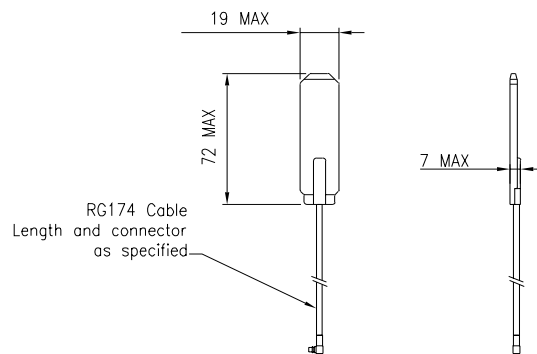


BT-Blade | Dual Band Waterproof Blade Antenna

Return Loss



Outline Drawing



Specifications subject to change without notice.

5 Little Balmer
Buckingham Industrial Park
Buckingham
MK18 1TF
UK

Tel: +44 (0)1280 824055
Fax: +44 (0)1280 817179
Email: sales@ead-ltd.com
Web: www.ead-ltd.com