



BT-Stubby

2.4 GHz 1/4 Wave
Stubby Antenna

Features

- 1/4 Wave Stubby Antenna
- Straight SMA Connector
- Groundplane Dependent
- Ideal for fixed and mobile devices

Specifications

Radiating element	1/4 Wave Helical
Frequency range	2.4 - 2.5 GHz
Peak gain	0 dBi
Polarisation	Linear
Return Loss	-14 dB
Impedance	50 Ohm
Cable / Connector	SMA-Male
Dimensions	33 x 8.3 mm (max)

Ordering Options

FBTS35024-SM-ST	BT-Stubby with SMA-Male ST Connector
-----------------	--------------------------------------

Specifications subject to change without notice.

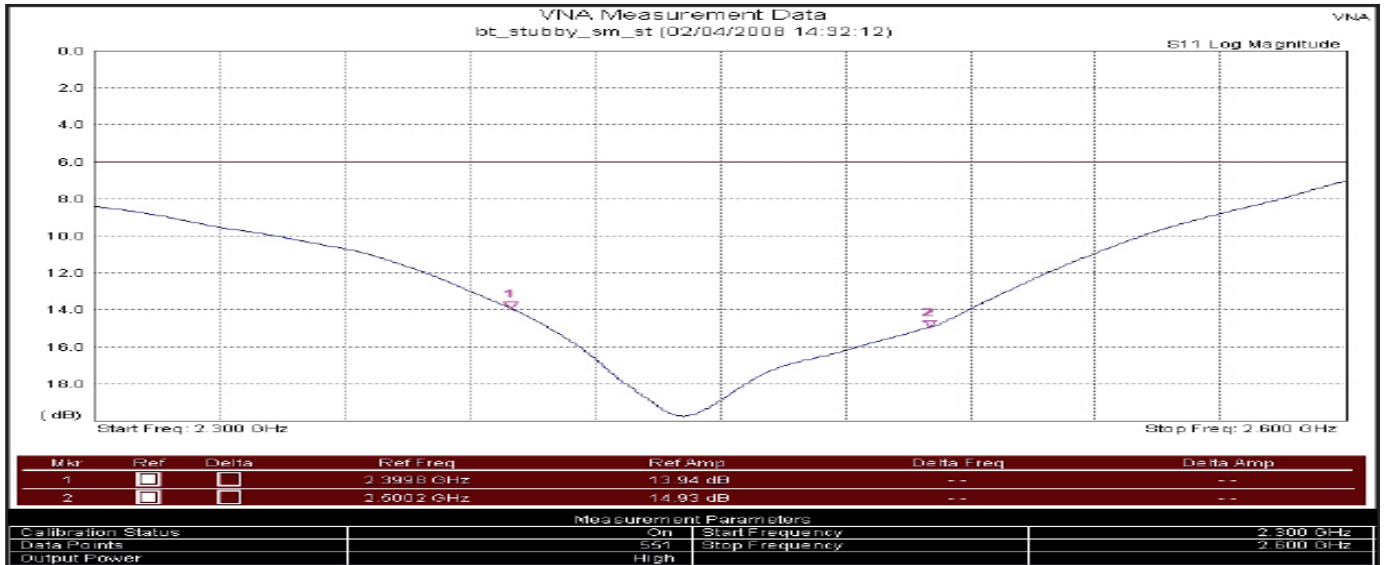
5 Little Balmer
Buckingham Industrial Park
Buckingham
MK18 1TF
UK

Tel: +44 (0)1280 824055
Fax: +44 (0)1280 817179
Email: sales@ead-ltd.com
Web: www.ead-ltd.com

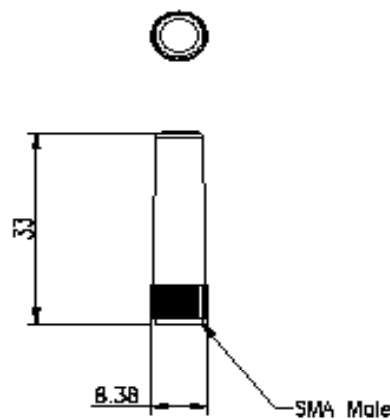


BT-Stubby | 2.4 GHz Stubby ST Antenna

Return Loss



Outline Drawing



Specifications subject to change without notice.

5 Little Balmer
Buckingham Industrial Park
Buckingham
MK18 1TF
UK

Tel: +44 (0)1280 824055
Fax: +44 (0)1280 817179
Email: sales@ead-ltd.com
Web: www.ead-ltd.com