

## C-Top

Very low profile 900/1800  
MHz Antenna

### Features

- ◆ Groundplane Independent
- ◆ Covers 900/1800 MHz bands
- ◆ SMA-Female connector underneath
- ◆ Cannot be mounted on metal

### Specifications

Radiating element	1/2 Wave Element
Frequency range	900/1800 MHz
Peak gain	1.0 dBi
Polarisation	Linear
Return loss	-8.0 dB
Power rating	10W
Cable / Connector	SMA-Female
Dimensions	84 x 13.2mm (d x h)

### Popular Ordering Options

FZTP35122-SFP-XX-W	C-Top with White Radome
FZTP35122-SFP-XX-B	C-Top with Black Radome

Specifications subject to change without notice.

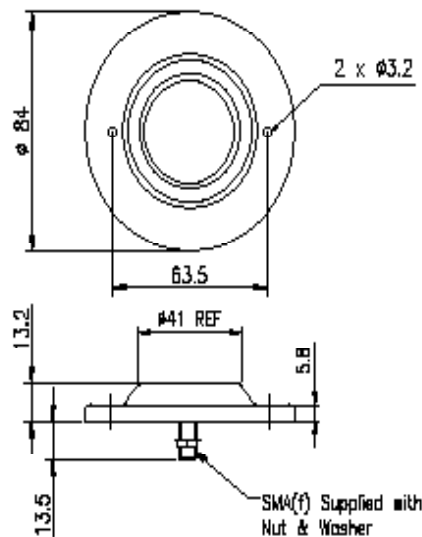
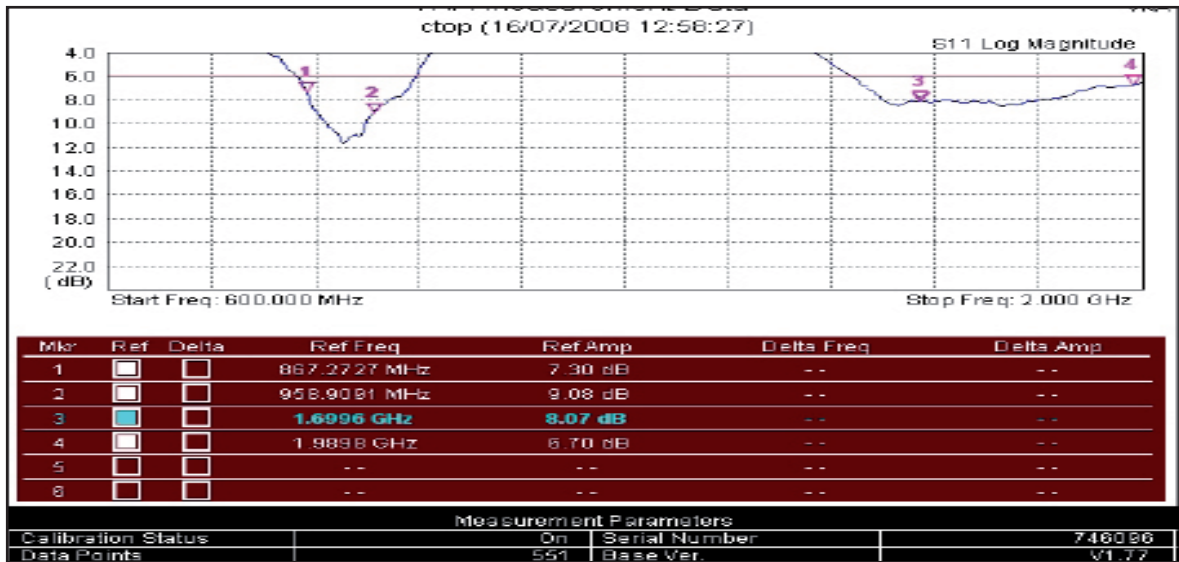
5 Little Balmer  
Buckingham Industrial Park  
Buckingham  
MK18 1TF  
UK

Tel: +44 (0)1280 824055  
Fax: +44 (0)1280 817179  
Email: [sales@ead-ltd.com](mailto:sales@ead-ltd.com)  
Web: [www.ead-ltd.com](http://www.ead-ltd.com)



## C-Top | Very Low Profile GSM Antenna

### Return Loss



Specifications subject to change without notice.

5 Little Balmer  
Buckingham Industrial Park  
Buckingham  
MK18 1TF  
UK

Tel: +44 (0)1280 824055  
Fax: +44 (0)1280 817179  
Email: sales@ead-ltd.com  
Web: www.ead-ltd.com