

CPP868

Desktop 868 MHz CP Panel Antenna

Features

- Flat Panel Antenna
- Circular Polarisation
- Compact ABS Housing
- Reads Tags in any orientation

Specifications

Radiating element	RHCP Patch
Frequency range	865-870 MHz
Peak gain	4 dB
Polarisation	RHCP
Return Loss	-14.0 dB
Power rating	10W
Cable / Connector	SMA-Male
Dimensions	164x164x18 mm (max)

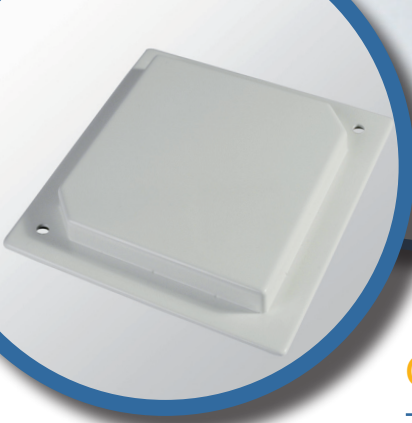
Ordering Options

CPP868	868-870 MHz Compact CP panel antenna
--------	--------------------------------------

Specifications subject to change without notice.

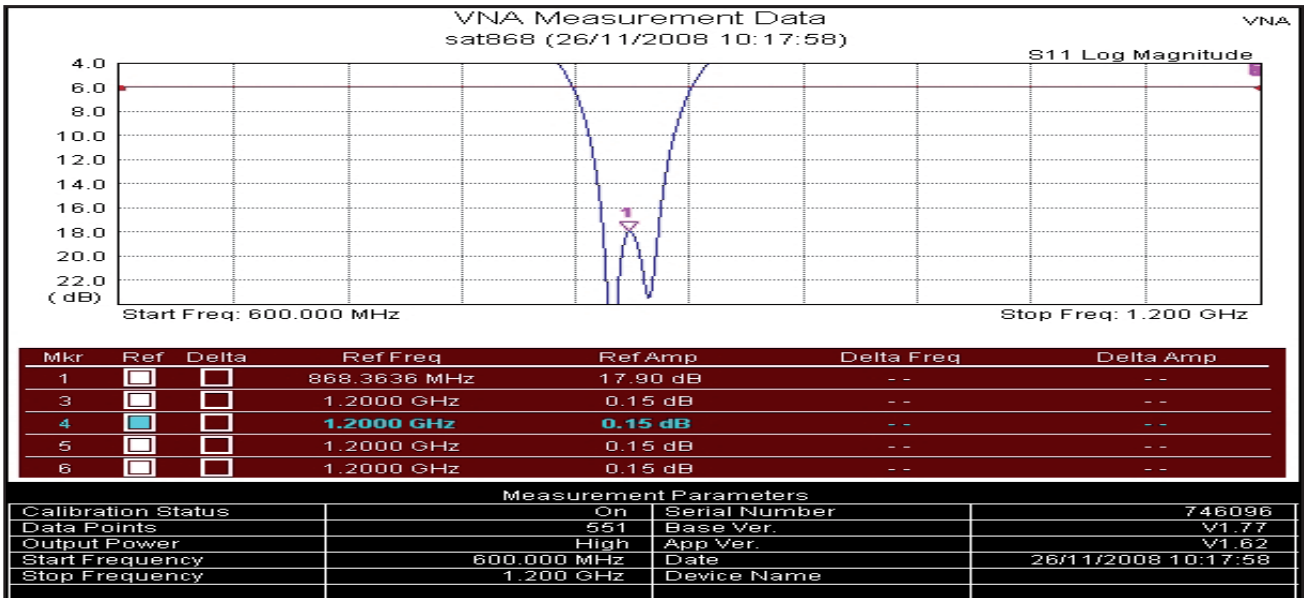
5 Little Balmer
Buckingham Industrial Park
Buckingham
MK18 1TF
UK

Tel: +44 (0)1280 824055
Fax: +44 (0)1280 817179
Email: sales@ead-ltd.com
Web: www.ead-ltd.com

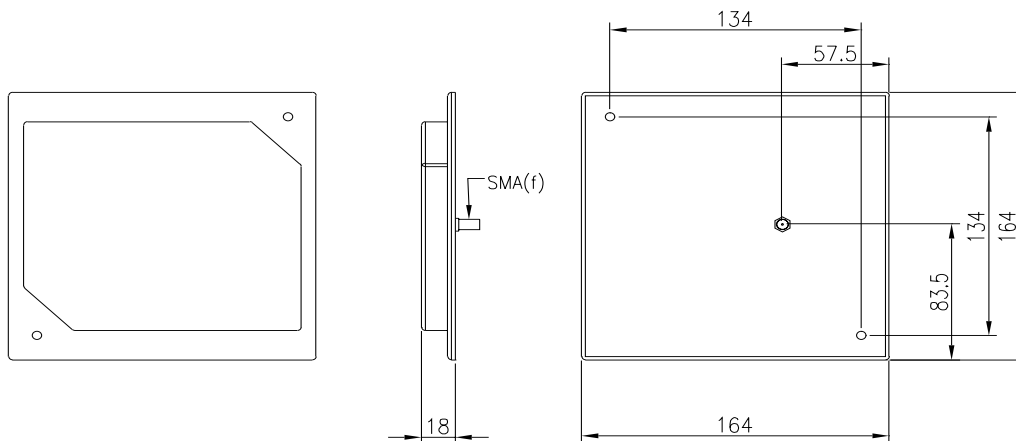


CPP868 | 868 MHz CP Panel Antenna

Return Loss



Outline Drawing



Specifications subject to change without notice.

5 Little Balmer
Buckingham Industrial Park
Buckingham
MK18 1TF
UK

Tel: +44 (0)1280 824055
Fax: +44 (0)1280 817179
Email: sales@ead-ltd.com
Web: www.ead-ltd.com