

FDO

Penta-Band High Gain Omni Antenna

Features

- ◆ High Gain Omni Antenna
- ◆ Covers 850/900/1800/1900/2100 MHz bands
- ◆ Ideal for fringe network areas
- ◆ Supplied with Mount Bracket

Specifications

Frequency range	824-960 / 1710-2170 MHz
Gain	4 / 5 dBi
Polarisation	Linear
VSWR	<2.5:1
Power rating	10W
Cable / Connector	No cable, N-Female connector
Dimensions	544 x 54mm (hxd) including bracket

Popular Ordering Options

FFDO35194-NF-XX	FDO antenna with N-Female Connector
-----------------	-------------------------------------

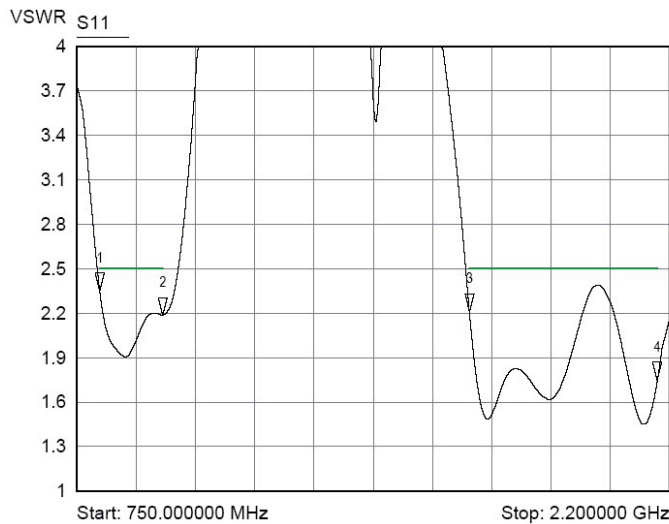
Specifications subject to change without notice.

5 Little Balmer
Buckingham Industrial Park
Buckingham
MK18 1TF
UK

Tel: +44 (0)1280 824055
Fax: +44 (0)1280 817179
Email: sales@ead-ltd.com
Web: www.ead-ltd.com

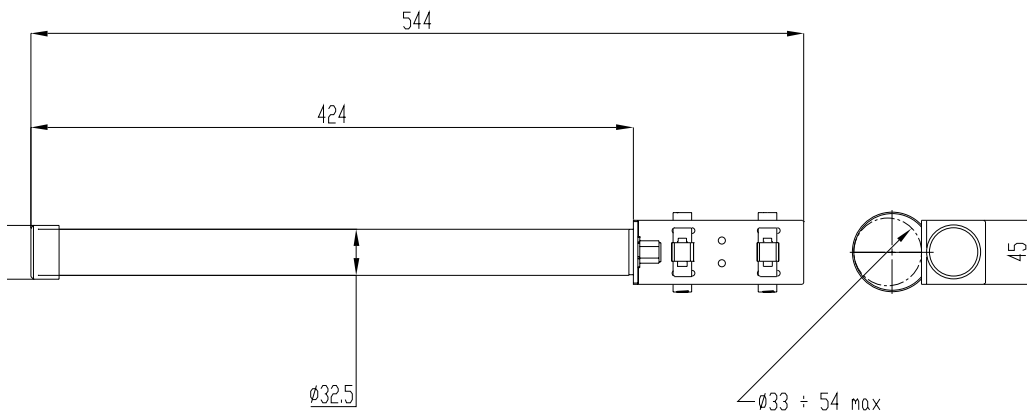
FDO| Penta-Band High Gain Omni Antenna

Return Loss



1	S11	806.000000 MHz	2.2575 VSWR
2	S11	960.000000 MHz	2.1852 VSWR
3	S11	1.710000 GHz	2.1720 VSWR
4	S11	2.170000 GHz	1.7809 VSWR

Outline Drawing



Specifications subject to change without notice.

5 Little Balmer
Buckingham Industrial Park
Buckingham
MK18 1TF
UK

Tel: +44 (0)1280 824055
Fax: +44 (0)1280 817179
Email: sales@ead-ltd.com
Web: www.ead-ltd.com