

Mini-GSM

Dual Band Internal PCB Antenna

Features

- ◆ Groundplane Dependent
- ◆ Covers 900/1800 MHz bands
- ◆ Various cable/connector options
- ◆ Ideal for mobile devices

Specifications

Radiating element	1/4 Wave Element
Frequency range	900/1800 MHz
Peak gain	0 dBi
Polarisation	Linear
Return loss	-7.0 dB
Power rating	10W
Cable / Connector	Various including MMCX, U.FL, SMA
Dimensions	43 x 6mm

Popular Ordering Options

FMGB35025-MR-10	Mini-GSM with 100mm RG-178 and MMCX Connector
FMGB35025-UF-10	Mini-GSM with 100mm cable and U.FL Connector

www.ead-ltd.com

Specifications subject to change without notice.

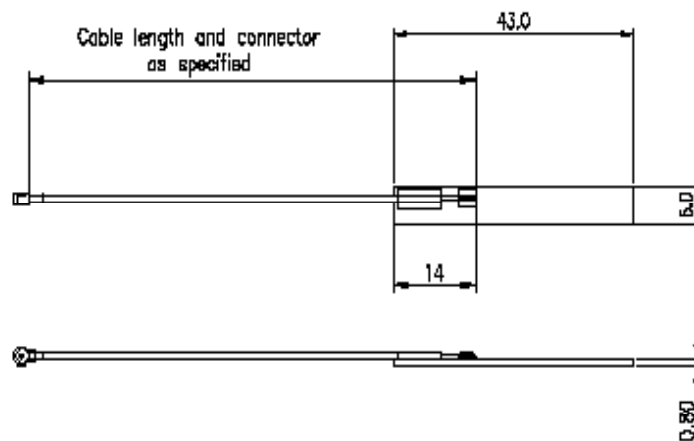
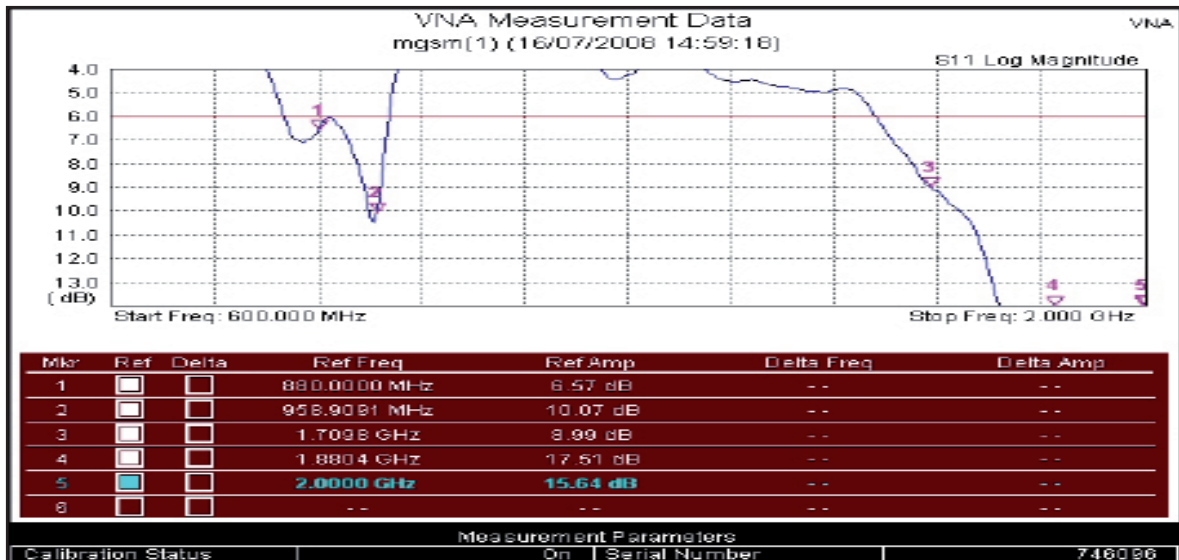
5 Little Balmer
Buckingham Industrial Park
Buckingham
MK18 1TF
UK

Tel: +44 (0)1280 824055
Fax: +44 (0)1280 817179
Email: sales@ead-ltd.com
Web: www.ead-ltd.com

EAD 
embedded antenna design ltd
Delivering Antenna Innovation

Mini-GSM| Dual Band Internal PCB Antenna

Return Loss



Specifications subject to change without notice.

5 Little Balmer
Buckingham Industrial Park
Buckingham
MK18 1TF
UK

Tel: +44 (0)1280 824055
Fax: +44 (0)1280 817179
Email: sales@ead-ltd.com
Web: www.ead-ltd.com