

# PTR2100

## Pentaband Multiposition Antenna

### Features

- ◆ Groundplane Independent
- ◆ Covers cellular, GSM and 3G bands
- ◆ Locks in three positions for flexibility
- ◆ Ideal for fixed and mobile terminals

### Specifications

Radiating element	1/2 Wave Element
Frequency range	824-960/1710-2170 MHz
Peak gain	1.5 dBi
Polarisation	Linear
Return loss	<-7 dB
Power rating	10W
Connector	SMA-Male RA
Dimensions	171 x 18mm (max)

### Popular Ordering Options

FPTR35162-SM-KR	PTR2100 with SMA-Male connector
-----------------	---------------------------------

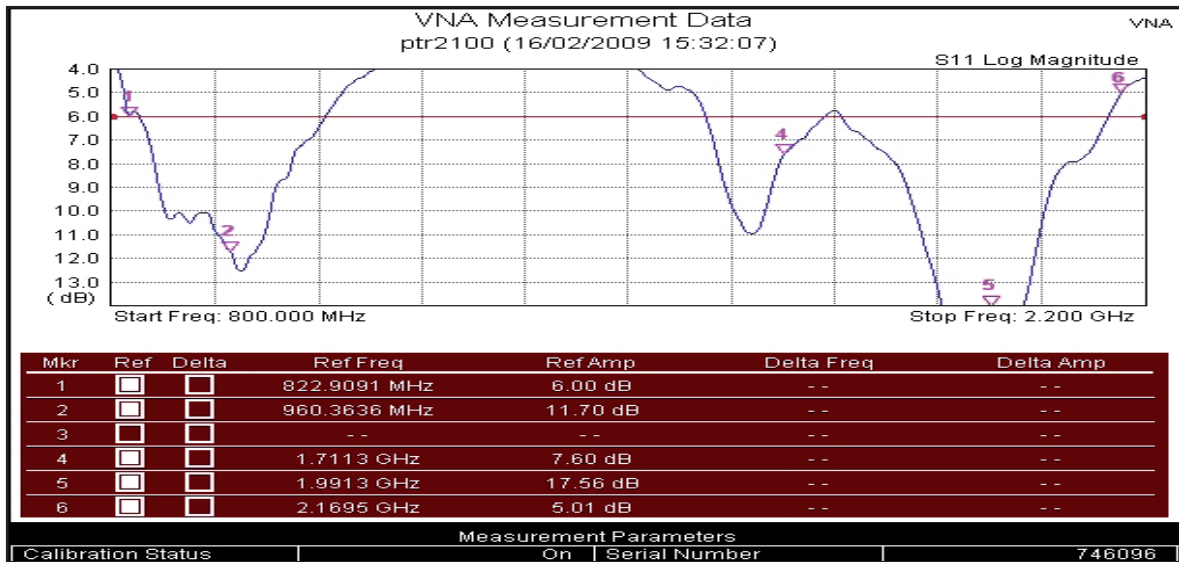
Specifications subject to change without notice.

5 Little Balmer  
Buckingham Industrial Park  
Buckingham  
MK18 1TF  
UK

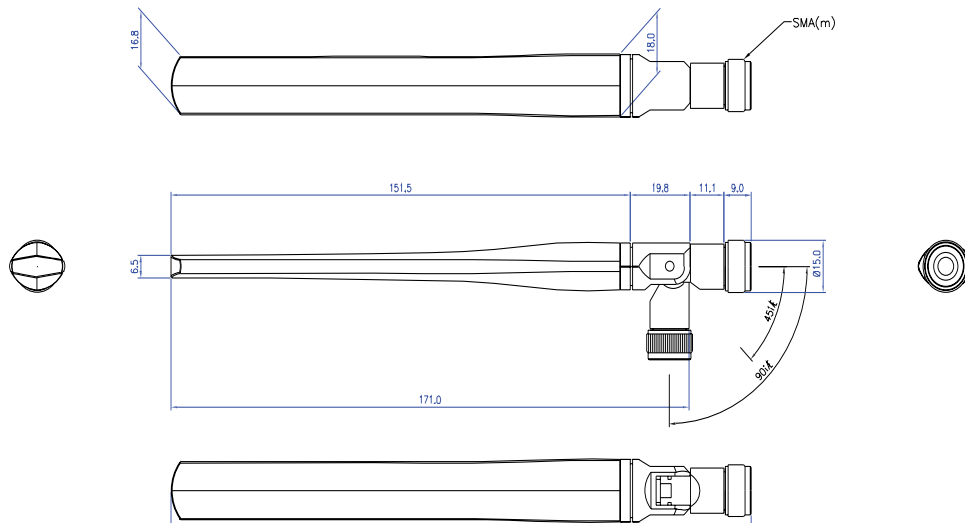
Tel: +44 (0)1280 824055  
Fax: +44 (0)1280 817179  
Email: sales@ead-ltd.com  
Web: www.ead-ltd.com

## PTR2100| PentaBand Multiposition Antenna

### Return Loss



### Outline Drawing



Specifications subject to change without notice.

5 Little Balmer  
Buckingham Industrial Park  
Buckingham  
MK18 1TF  
UK

Tel: +44 (0)1280 824055  
Fax: +44 (0)1280 817179  
Email: sales@ead-ltd.com  
Web: www.ead-ltd.com