

Pentablade

Multiband GSM/3G Stub Blade Antenna

Features

- ◆ Groundplane Independent
- ◆ Covers Cellular, GSM and 3G bands
- ◆ SMA-Male connector
- ◆ Ideal for multiband terminals

Specifications

Radiating element	1/2 Wave Element
Frequency range	824-960/1710-2170 MHz
Peak gain	2.0 dBi
Polarisation	Linear
Return loss	< -8 dB
Power rating	10W
Cable / Connector	SMA-Male
Dimensions	84 x 21.5mm excluding connector

Popular Ordering Options

FPTB35146-SM-RA	Pentablade with SMA-Male RA
-----------------	-----------------------------

Specifications subject to change without notice.

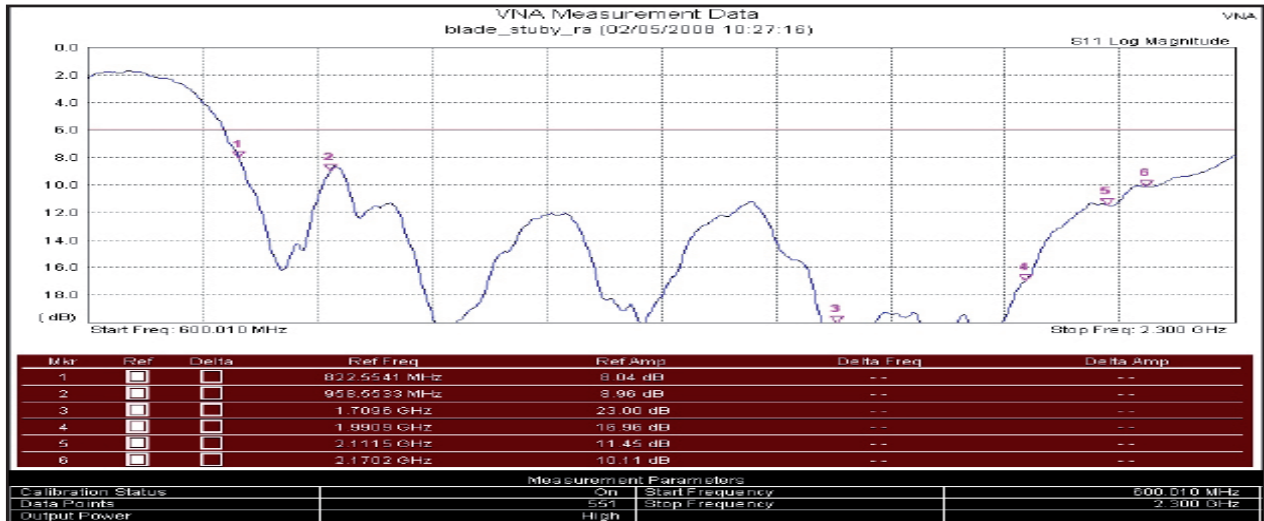
5 Little Balmer
Buckingham Industrial Park
Buckingham
MK18 1TF
UK

Tel: +44 (0)1280 824055
Fax: +44 (0)1280 817179
Email: sales@ead-ltd.com
Web: www.ead-ltd.com

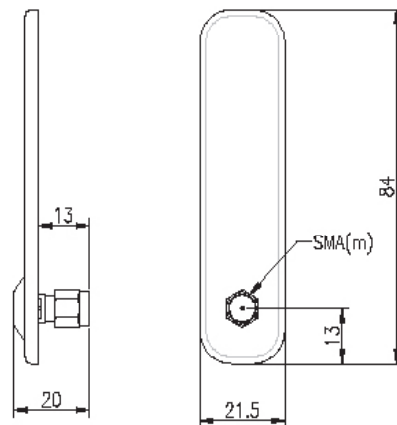


Pentablade | Multiband Stub Blade Antenna

Return Loss



Outline Drawing



Specifications subject to change without notice.

5 Little Balmer
Buckingham Industrial Park
Buckingham
MK18 1TF
UK

Tel: +44 (0)1280 824055
Fax: +44 (0)1280 817179
Email: sales@ead-ltd.com
Web: www.ead-ltd.com