

SW868

868 MHz 1/4 Wave
Knuckle Antenna

Features

- ◆ Moulded Whip Antenna
- ◆ Flexible Knuckle Joint
- ◆ Ideal for ISM-Band applications
- ◆ Supports AMPS Band (824-896 MHz)

Specifications

Frequency	868 MHz
Polarisation	Linear
Return Loss	- 10 dB
Gain	1 dBi
Power Rating	10W
Cable / Connector	SMA-Male
Dimensions	108x9.5mm

Ordering Options

SW868-SM-KR	SW868 with SMA-Male connector
-------------	-------------------------------

Specifications subject to change without notice.

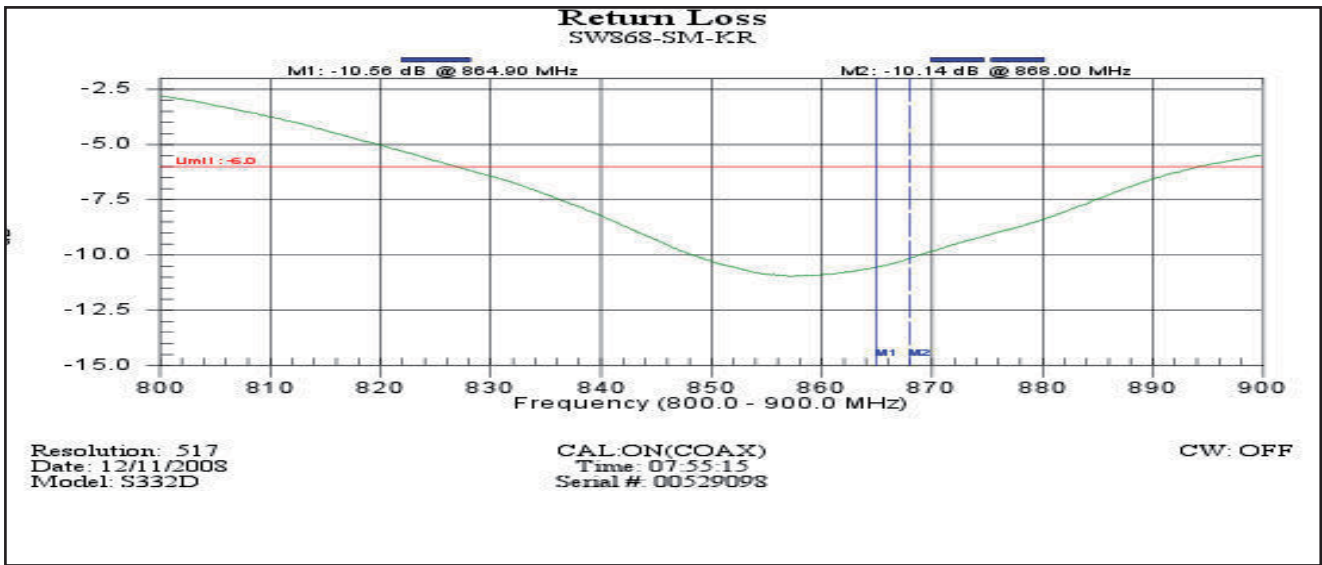
5 Little Balmer
Buckingham Industrial Park
Buckingham
MK18 1TF
UK

Tel: +44 (0)1280 824055
Fax: +44 (0)1280 817179
Email: sales@ead-ltd.com
Web: www.ead-ltd.com

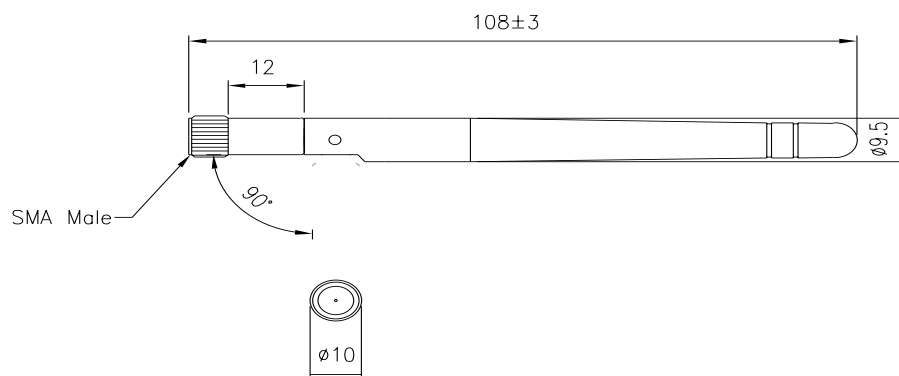


SW868 | 868 MHz 1/4 Wave Knuckle Antenna

Return Loss



Outline Drawing



Specifications subject to change without notice.

5 Little Balmer
Buckingham Industrial Park
Buckingham
MK18 1TF
UK

Tel: +44 (0)1280 824055
Fax: +44 (0)1280 817179
Email: sales@ead-ltd.com
Web: www.ead-ltd.com