

DESCRIPTION

Directional multi-band base station antenna for indoor or outdoor use working on 880-960 MHz and 1.7-2.17 GHz conceived for GSM 900 & 1800, PCS 1.9 GHz, DECT and UMTS systems. The radiant element is made on a PCB and it is protected by a thermoplastic UV-stabilized radome to get the best performance for long periods of time. It's supplied with bracket for an easy installation on the mast. (Patent Pending applied for this model)

SPECIFICATIONS

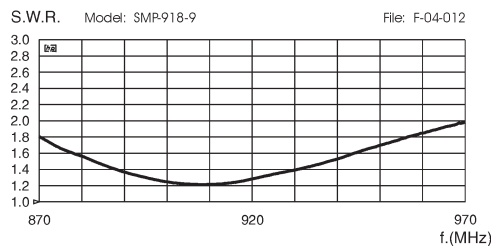
Electrical Data

Type & Use	:	Mini Panel Antenna for Indoor or Outdoor use
Frequency Range	:	880-960 MHz & 1710-2170 MHz
Impedance	:	50 Ω Unbalanced
Polarization	:	Linear Vertical
Gain	:	9 dBi at both bands
Half Power Beam Width	:	see Typical Radiation Pattern
Downtilt	:	0°
Front to back ratio	:	≥ 15 dB from 880 to 960 MHz and from 1.71 to 2 GHz ≥ 10 dB from 2 to 2.17 GHz
V.S.W.R. in Bandwidth	:	≤ 2.0:1 from 880 to 960 MHz ≤ 1.8:1 from 1.71 to 2.17 GHz
Max Power	:	20 Watts (CW) at 50° C
Lightning protection	:	DC-ground
Cable Type / Length	:	White Low Loss / 30 cm, other length on request
Connector type	:	SMA-male, other type on request

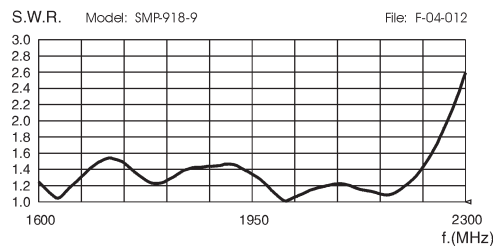
Mechanical Data

Housing & Radome Material	:	RAL 7035 Light Grey thermoplastic UV Stabilized
Bracket & Hardware Material	:	Galvanized Steel
Wind Load / Resistance	:	40 N at 150 Km/h / 180 Km/h
Wind Surface	:	0.02 m ²
Dimensions (approx.)	:	154 x 134 x 46 mm without bracket
Weight (approx.)	:	400 gr
Operating Temperature	:	-20° C to 80° C
Installation Type	:	Mast: \varnothing 25-42 mm whit U-bolt Wall: mounting screws (not included)

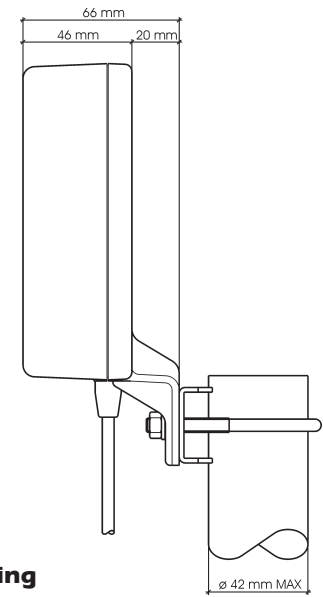
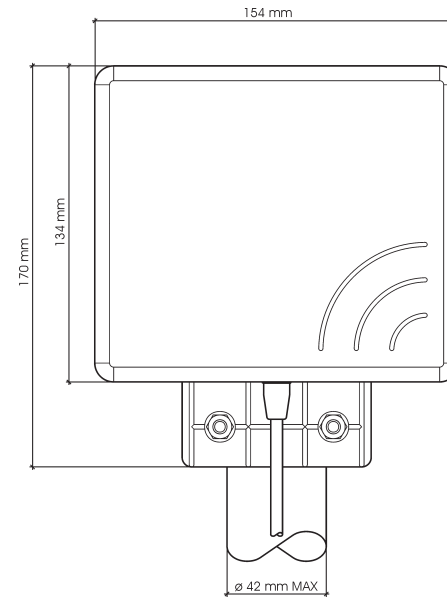
TYPICAL S.W.R. RESPONSE



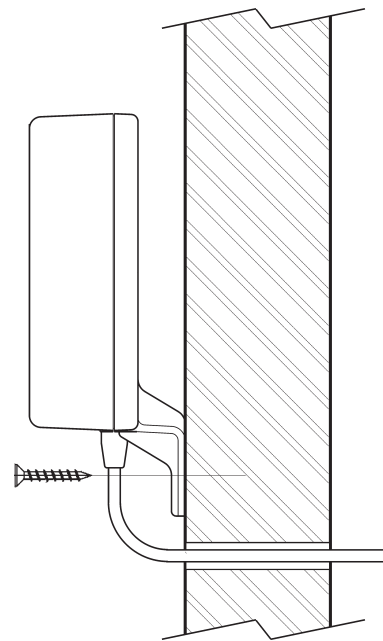
TYPICAL S.W.R. RESPONSE



MOUNTING INSTRUCTIONS



Mast mounting



Wall mounting
(screws not included)



Optional tilting bracket

Mast: \varnothing 35-50 mm with clamp included
Wall: with mounting screws (not included)