



WR868

868 MHz Stubby Antenna

Features

- ◆ Groundplane Dependent
- ◆ Covers 868 and 915 MHz bands
- ◆ SMA-Male Right Angle Connector
- ◆ Ideal for fixed and mobile terminals

Specifications

| | |
|-------------------|---------------------------|
| Radiating element | 1/4 Wave Element |
| Frequency range | 868 MHz, 915 MHz |
| Peak gain | 1.0 dBi |
| Polarisation | Linear |
| Return loss | -17 dB |
| Power rating | 10W |
| Connector | SMA-Male Right Angle |
| Dimensions | 54 x 8mm (plus connector) |

Popular Ordering Options

| | |
|-----------------|----------------------------------|
| FWR835021-SM-RA | WS868 with SMA-Male RA connector |
|-----------------|----------------------------------|

Specifications subject to change without notice.

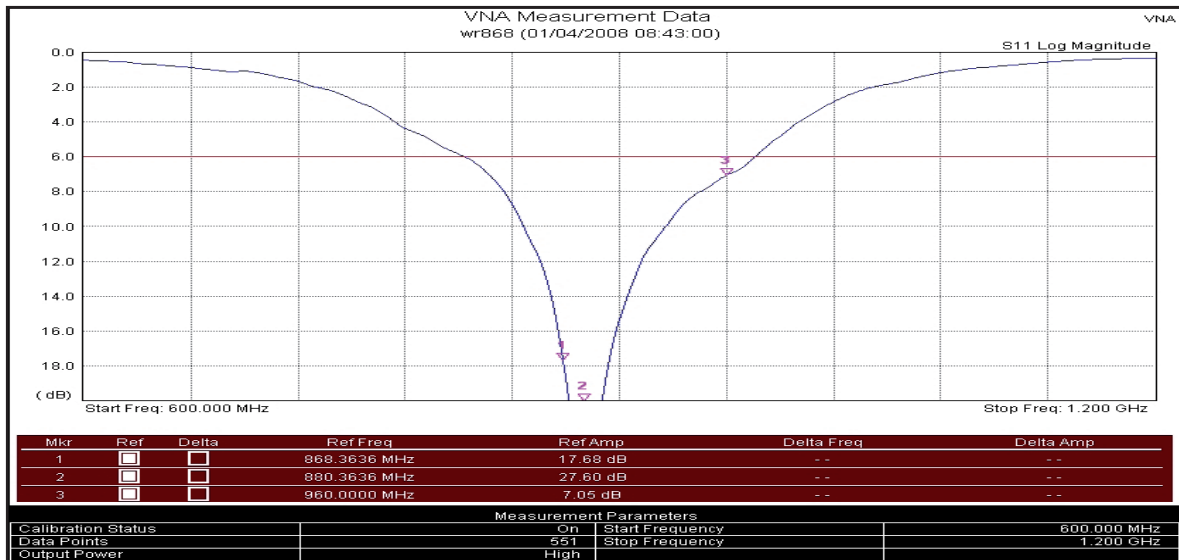
5 Little Balmer
Buckingham Industrial Park
Buckingham
MK18 1TF
UK

Tel: +44 (0)1280 824055
Fax: +44 (0)1280 817179
Email: sales@ead-ltd.com
Web: www.ead-ltd.com

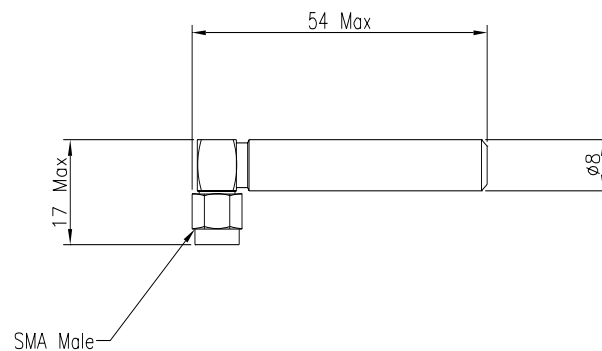
EAD 
embedded antenna design ltd
Delivering Antenna Innovation

WR868 | 868 MHz Stubby Antenna

Return Loss



Outline Drawing



Specifications subject to change without notice.

5 Little Balmer
Buckingham Industrial Park
Buckingham
MK18 1TF
UK

Tel: +44 (0)1280 824055
Fax: +44 (0)1280 817179
Email: sales@ead-ltd.com
Web: www.ead-ltd.com