

Z-Top

Very low profile 2.4 GHz
Antenna

Features

- ◆ Groundplane Independent
- ◆ Covers 2.4 GHz band
- ◆ SMA-Female connector underneath
- ◆ Ideal for discrete deployments

Specifications

Radiating element	1/2 Wave Element
Frequency range	2.4 GHz
Peak gain	1.0 dBi
Polarisation	Linear
Return loss	-11 dB
Power rating	10W
Cable / Connector	SMA-Female
Dimensions	84 x 13.2mm (d x h)

Popular Ordering Options

FZTP35095-SFP-XX-W	Z-Top with White Radome
FZTP35095-SFP-XX-B	Z-Top with Black Radome

Specifications subject to change without notice.

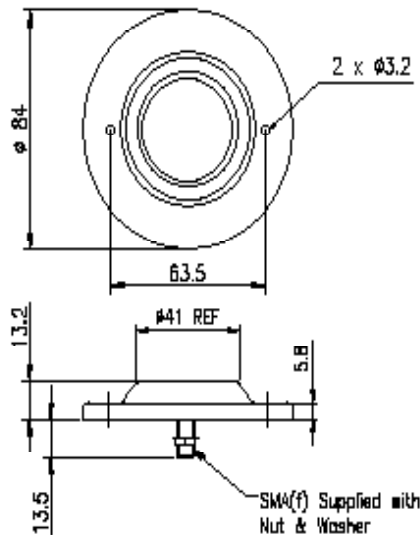
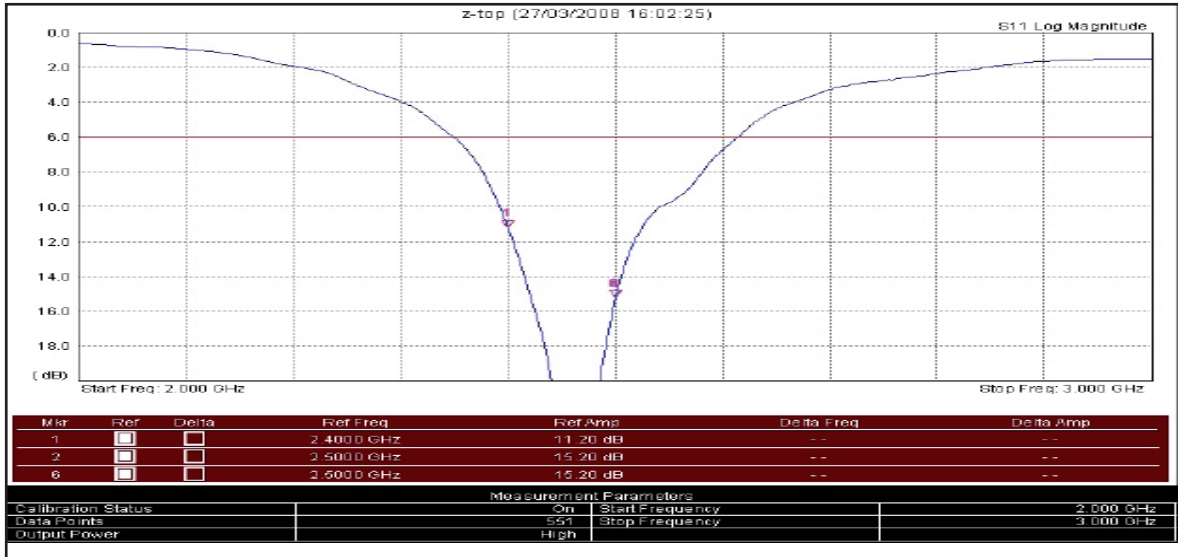
5 Little Balmer
Buckingham Industrial Park
Buckingham
MK18 1TF
UK

Tel: +44 (0)1280 824055
Fax: +44 (0)1280 817179
Email: sales@ead-ltd.com
Web: www.ead-ltd.com



Z-Top | Very Low Profile 2.4 GHz Antenna

Return Loss



Specifications subject to change without notice.

5 Little Balmer
Buckingham Industrial Park
Buckingham
MK18 1TF
UK

Tel: +44 (0)1280 824055
Fax: +44 (0)1280 817179
Email: sales@ead-ltd.com
Web: www.ead-ltd.com